



Nominal data

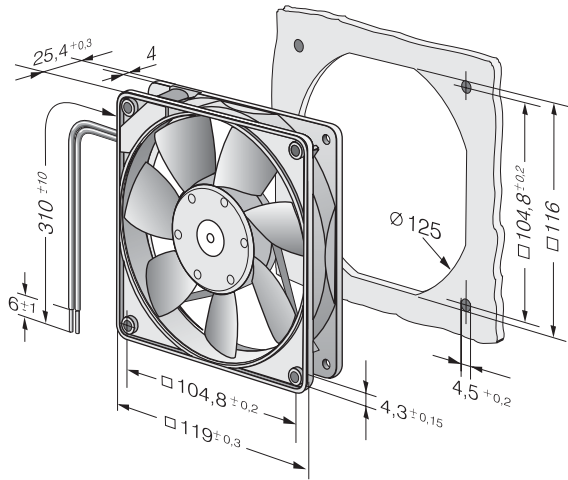
| Type | 4414 FM | |
|--------------------------|-------------------|----------|
| Nominal voltage | VDC | 24 |
| Nominal voltage range | VDC | 12 .. 28 |
| Speed (rpm) | min ⁻¹ | 2400 |
| Power consumption | W | 3.1 |
| Min. ambient temperature | °C | -20 |
| Max. ambient temperature | °C | 75 |
| Air flow | m ³ /h | 140 |
| Sound power level | B | 4.8 |
| Sound pressure level | dB(A) | 38 |

ml = Max. load · me = Max. efficiency · fa = Free air · cs = Customer specification · ce = Customer equipment
Subject to change

Technical description

| | |
|--|--|
| Housing material | Glass-fiber reinforced PBT plastic |
| Impeller material | Glass-fiber reinforced PA plastic |
| Weight | 0.175 kg |
| Dimensions | 119 x 119 x 25 mm |
| Airflow direction | Exhaust over struts |
| Direction of rotation | Counterclockwise, viewed toward rotor |
| Storage | Ball bearing |
| Service life L10 at 40 °C | 70000 h |
| Service life L10 at maximum temperature | 30000 h |
| Cable | Leads AWG 24, TR 64, stripped and tin-plated. |
| Motor protection | Protection against reverse polarity and blocked rotor. |
| Locked-rotor protection | Locked-rotor and overload protection |
| Approval | VDE, CSA, UL, CE |
| Option | Speed signal |

Product drawing



Curves: Air performance

